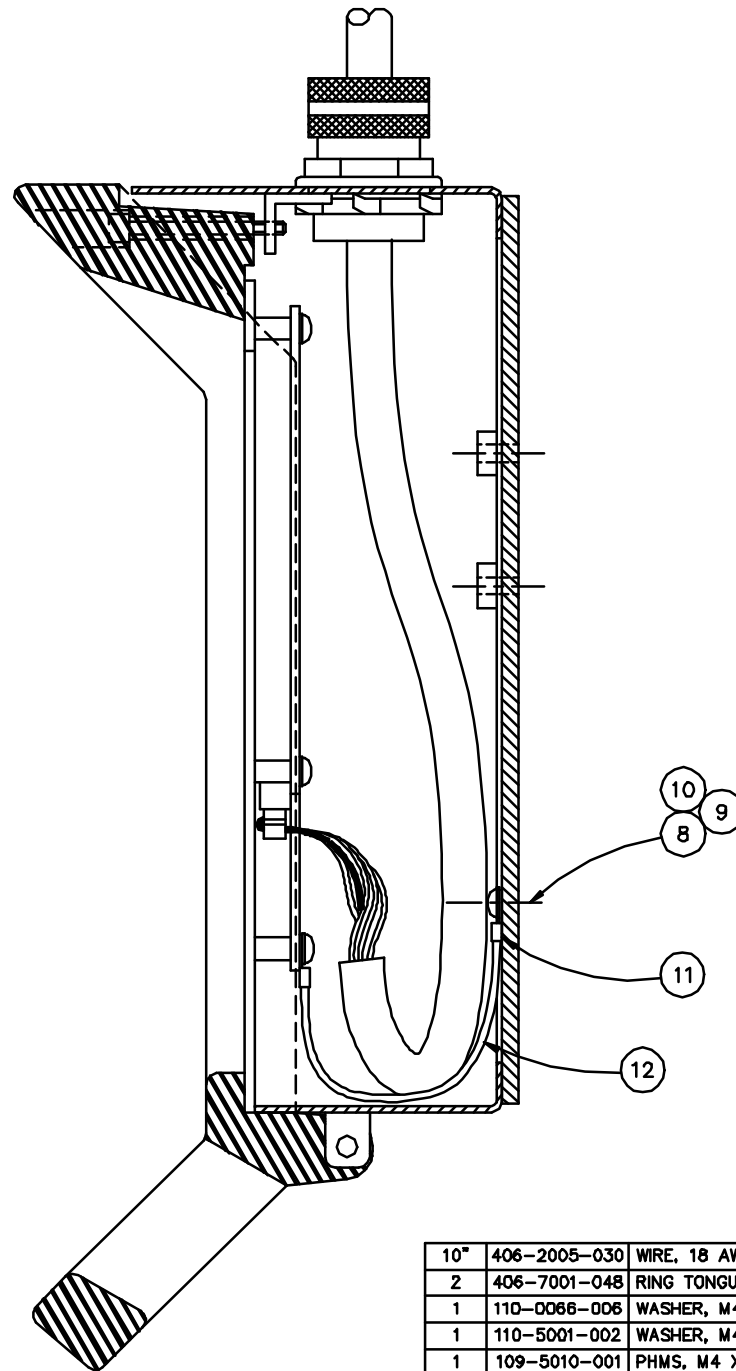
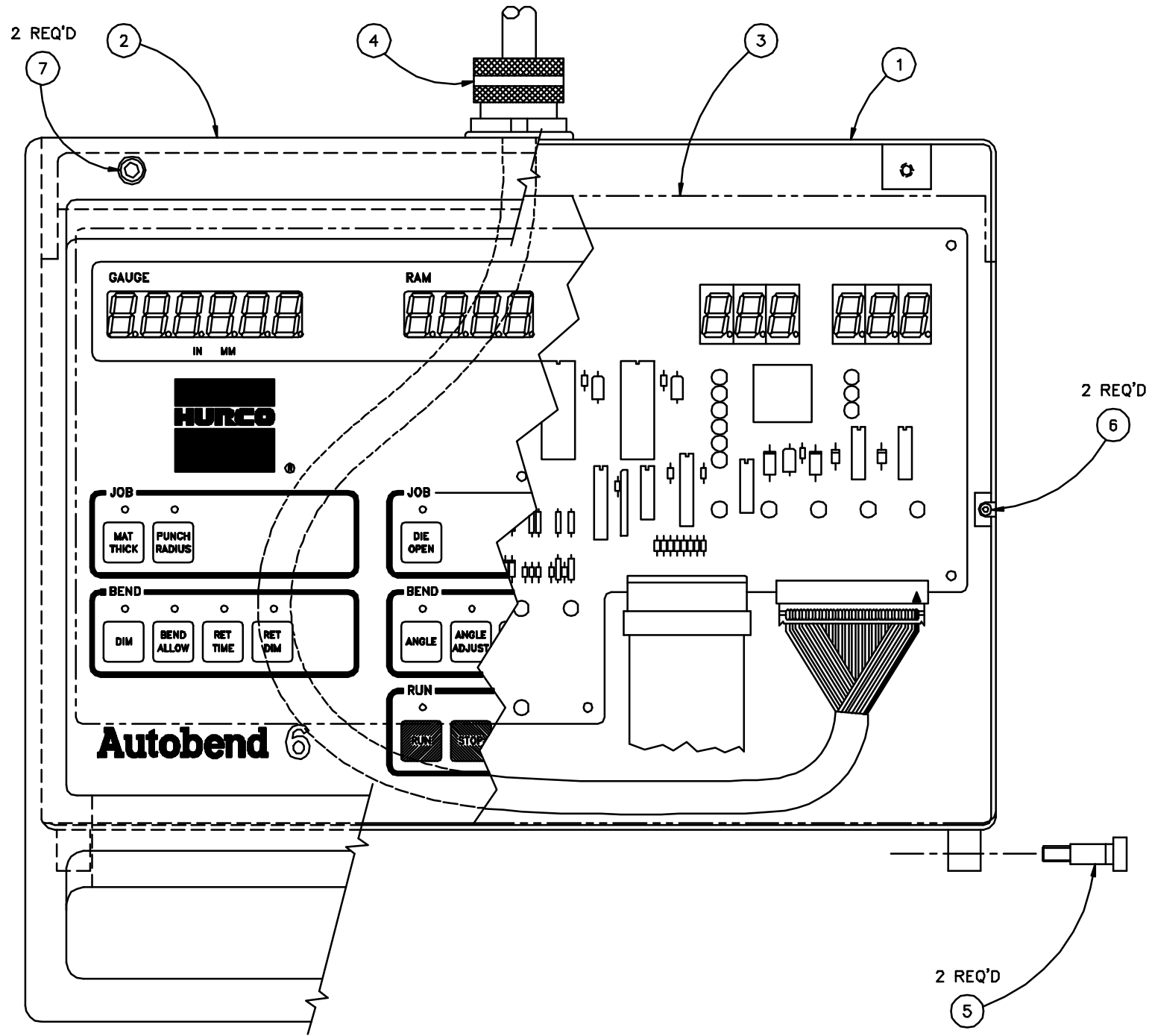


PROPRIETARY INFORMATION
 INFORMATION CONTAINED HEREIN IS THE PROPERTY OF HURCO MANUFACTURING COMPANY, INC. NO REPRODUCTION OR DISCLOSURE OF THIS INFORMATION SHALL BE MADE BY THE RECIPIENT TO ANY OTHER PERSON OR ORGANIZATION WITHOUT THE PRIOR WRITTEN CONSENT OF HURCO MANUFACTURING COMPANY, INC.



QTY.	PART NUMBER	ITEM DESCRIPTION	ITEM
10*	406-2005-030	WIRE, 18 AWG STRANDED GRN/YEL INS.	12
2	406-7001-048	RING TONGUE, #8 X 18-22 AWG (RED)	11
1	110-0066-006	WASHER, M4 EXT TOOTH	10
1	110-5001-002	WASHER, M4 FLAT	9
1	109-5010-001	PHMS, M4 X 0.7 X 6	8
2	101-5007-012	SHCS, M5 X 0.8 X 45	7
2	108-5001-002	BHCS, M3 X 0.5 X 8	6
2	115-5002-002	SHSS, M6 X 8 DIA X 16 LG	5
REF	423-0200-003	HARNESS, CONSOLE INTERFACE	4
1	001-2104-001	ASSEMBLY, FRONT PANEL	3
1	801-0787-001	BEZEL, CONSOLE	2
1	801-0781-006	ENCLOSURE, CONSOLE	1

REV	DATE	BY	DESCRIPTION	SURFACE TREATMENT	HEAT TREATMENT	FRST USED ON	EXCEPT AS NOTED ALL DIMENSIONS MUST BE AS FOLLOWS TOLERANCE	EXCEPT AS NOTED ALL DIMENSIONS IN INCHES TOLERANCE	DESCRIPTION	SCALE	SIZE	DRAWING	SH. 1 OF 1	REV.
C	13762		RELEASE	~	~	AUTOBEND 6	DECIMAL INSIDE: .005" X 45° OR .005" R MAX OUTSIDE: .030" X 45° OR .005" R	DECIMAL ±.0300 .00 ±.0190 .000 ±.0050 0.000 ±.0008 ANGULAR ±.050°	ASSEMBLY, AB6 CONSOLE	NONE	D	001-2103-001	1	
B			PRELIMINARY											
A			PROTOTYPE											