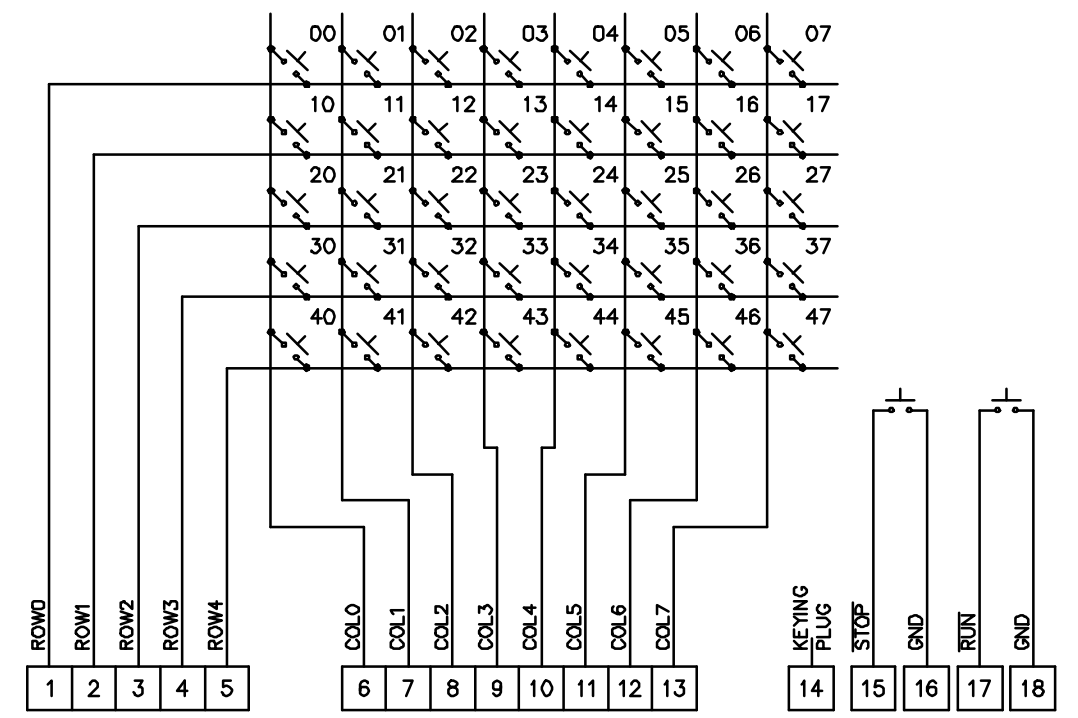
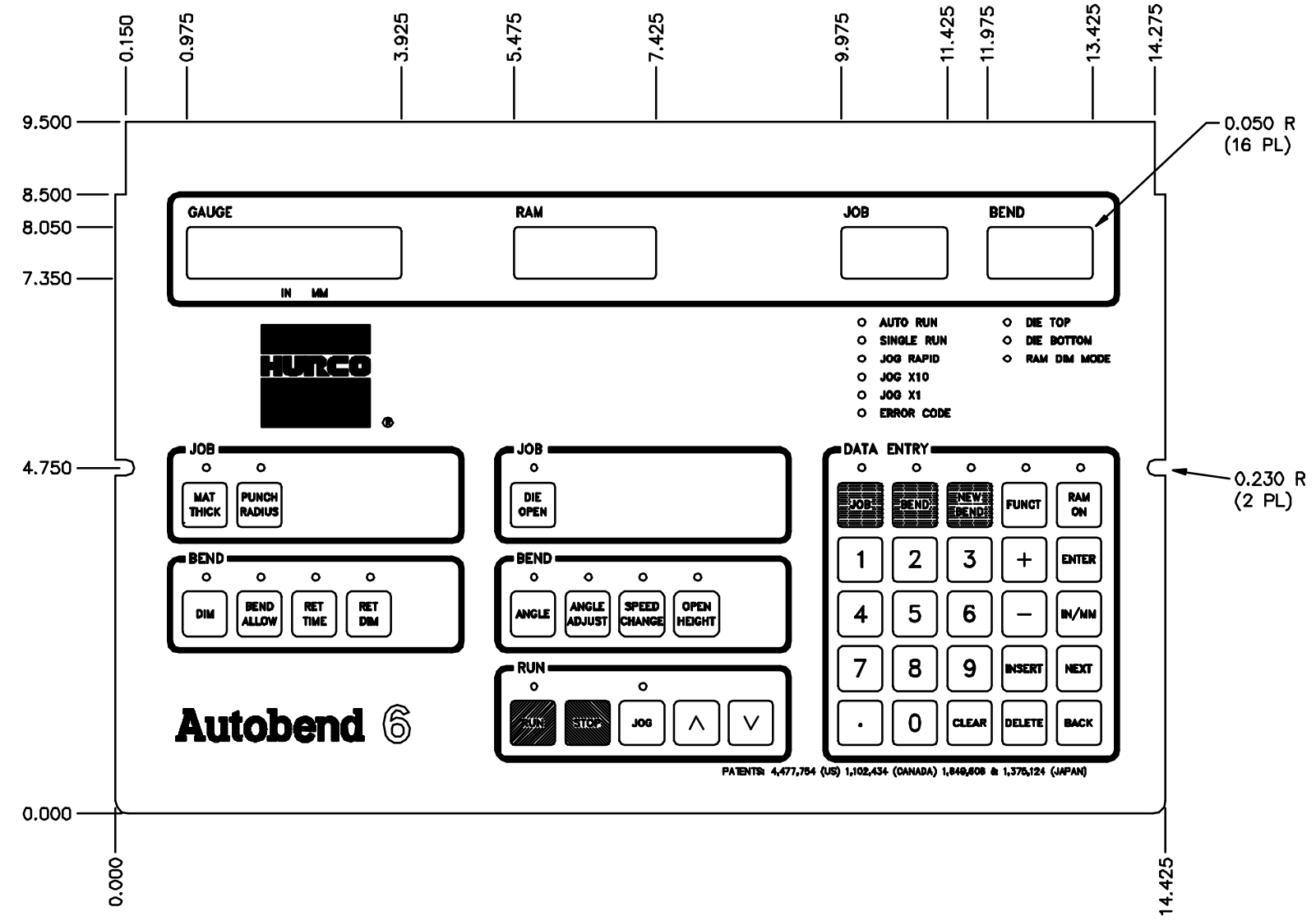


PROPRIETARY INFORMATION
 INFORMATION CONTAINED HEREIN IS THE PROPERTY OF HURCO MANUFACTURING COMPANY, INC. NO REPRODUCTION OR DISCLOSURE OF THIS INFORMATION SHALL BE MADE BY THE RECIPIENT TO ANY OTHER PERSON OR ORGANIZATION WITHOUT THE PRIOR WRITTEN CONSENT OF HURCO MANUFACTURING COMPANY, INC.

SCHEMATIC DIAGRAM



KEY MAPPING

- XX = ROW,COL
- 00 - BACK
 - 01 - NEXT
 - 02 - IN/MM
 - 03 - ENTER
 - 04 - RAM ON
 - 05 -
 - 06 - PUNCH RADIUS
 - 07 - MAT THICK
 - 10 - DELETE
 - 11 - INSERT
 - 12 - MINUS
 - 13 - PLUS
 - 14 - FUNCT
 - 15 - DIE OPEN
 - 16 - ANGLE
 - 17 - RET DIM
 - 20 - CLEAR
 - 21 - NINE
 - 22 - SIX
 - 23 - THREE
 - 24 - NEW BEND
 - 25 - RET TIME
 - 26 - ANGLE ADJUST
 - 27 - JOG
 - 30 - ZERO
 - 31 - EIGHT
 - 32 - FIVE
 - 33 - TWO
 - 34 - BEND
 - 35 - BEND ALLOW
 - 36 - SPEED CHANGE
 - 37 - INCREMENT
 - 40 - PERIOD
 - 41 - SEVEN
 - 42 - FOUR
 - 43 - ONE
 - 44 - JOB
 - 45 - DIM
 - 46 - OPEN HEIGHT
 - 47 - DECREMENT

FRONT VIEW

SEE SHT 2 FOR ADDITIONAL DETAILS

MATERIALS:

GRAPHIC LAYER: 0.007" THICK VELVET LEXAN OVERLAY, BACKPRINTED WITH 5 OPAQUE COLORS PLUS TRANSPARENT RED.
 SWITCH LAYERS: 0.005" THICK CLEAR MYLAR WITH SILVER CONTACTS.
 ELECTRICAL CONNECTION VIA 4.5" LONG TAIL TERMINATED TO MATE WITH AN 18-PIN HEADER.
 BACKING PANEL: 0.125" THICK ALUMINUM ALLOY, DESCRIBED ON SHT 2.

COLORS:

1. KEY TEXT AND BACKGROUND - BLACK
2. "RUN" KEY - GREEN (CF# 702)
3. "STOP" KEY - RED (CF# 573)
4. "JOB", "BEND", "NEW BEND" KEYS - YELLOW (CF# 665)
5. OUTLINES, LOGOS AND ALL OTHER TEXT - WHITE (CF# 598)
6. DISPLAY WINDOWS - TRANSPARENT RED (CF# 627)

AB 938-1

C 13762 RELEASE		SEP 07 96	SURFACE TREATMENT		EXCEPT AS NOTED ALL DIMENSIONS IN INCHES TOLERANCE DECIMAL .00 ±.0000 .000 ±.0005 .0000 ±.0005 ANGULAR ± 0°30' BREAK ALL SHARP EDGES THIRD ANGLE PROJECTION	HURCO MANUFACTURING COMPANY, INC INDIANAPOLIS, IN U.S.A.
B - PRELIMINARY		SEP 02 96	TREAT TREATMENT			
A - PROTOTYPE			FIRST USED ON		DATE	DESCRIPTION
REV. DATE		BY	REVISION DESCRIPTION		SEP 08 96	PANEL, AB6 MEMBRANE SWITCH/DISPLAY
			AUTOBEND 6		SCALE 1:1	DRAWING 405-3001-027
					SIZE D	SHY. 1 OF 2