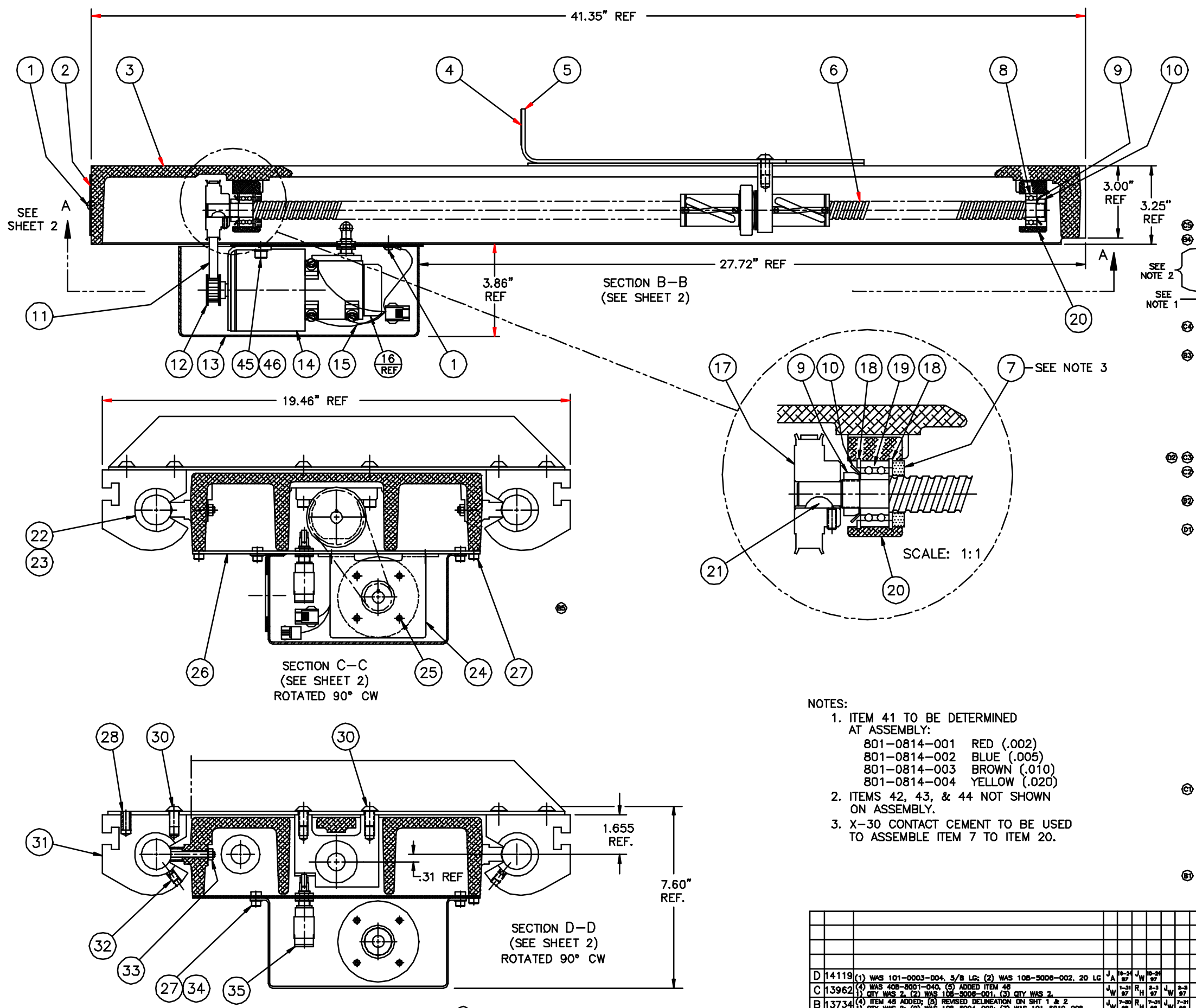


PROPRIETARY INFORMATION  
 INFORMATION CONTAINED HEREIN IS THE PROPERTY OF HURCO MANUFACTURING COMPANY, INC. NO REPRODUCTION OR DISCLOSURE OF THIS INFORMATION SHALL BE MADE BY THE RECIPIENT TO ANY OTHER PERSON OR ORGANIZATION WITHOUT THE PRIOR WRITTEN CONSENT OF HURCO MANUFACTURING COMPANY, INC.



QTY.	PART NUMBER	ITEM DESCRIPTION	ITEM
2	110-5001-005	FLAT WASHER, M8	46
2	101-5010-003	SHCS, M8 X 1.25 P X 16 LG	45
4	111-0241-001	RIVET, AD-32 SCOVIL	44
1	703-1001-129	INFO & WARNING LABEL	43
1	001-1430-001	ASSY, SHIPPING BOX	42
1	801-0814-XXX	SHIM STOCK	41
2	801-2008-001	BUMPER, GAUGE RUBBER	40
4	408-8001-013	PLUG, HOLE HEYCO #DP-875	39
2	112-5024-004	SPRING PIN, M6 DIA X 20 LG	38
4	101-5010-007	SHCS, M8 X 1.25 P X 25 LG	37
2	901-0080-001	ROD, GUIDE	36
1	404-5202-012	LIMIT SWITCH	35
3	110-5001-004	FLAT WASHER, M6	34
8	117-0100-007	LOCKNUT, M6 X 1 P	33
4	103-5165-021	SSS, M8 X 1.25 P X 10 LG. CONE PT.	32
2	801-0703-001	BLOCK, BEARING	31
10	108-5006-001	BHSCS, M10 X 1.5 P X 16 LG.	30
			29
4	112-5026-001	SPRING PIN, M10 DIA X 20 LG	28
7	101-5008-003	SHCS, M6 X 1.0 P X 12 LG	27
1	801-2000-008	PLATE, S6 BOTTOM	26
4	101-0003-002	SHCS, #8-32 X 3/8 LG	25
1	801-0641-001	BRACKET, MOTOR MOUNTING	24
4	211-5002-008	BUSHING, BALL SUPER 20-OPN	23
4	608-0005-005	SEAL, BALL BUSHING OP STD 1.25	22
1	609-0001-010	KEY, WOODRUFF, #4 3/32 X 5/8	21
2	801-2012-001	SUPPORT, BALL SCREW BEARING	20
1	211-0035-003	BEARING, DBL ROW BALL, #MRC-5202SBKZZ	19
2	113-0008-025	RETAINING RING, BOW 1.375 X 1.526	18
1	208-0002-039	PULLEY, GEAR BELT, BROWN #36XLM037	17
REF	416-0248-054	ENCODER, 254 LINE DIFF.	16
1	423-0204-001	HARNESS GAUGE INTERNAL AB7 S6,7,8	15
1	001-2009-003	M.T.E. AB7, 254 LINE	14
1	801-2014-008	COVER, S6 MOTOR	13
1	208-0002-006	SPROCKET, 18XL037 1/2" DIA BORE	12
1	204-0002-007	BELT, TIMING, 130 X L037	11
2	211-0087-001	LOCKNUT, BEARING, AFBMA N-02	10
2	211-0088-001	LOCKWASHER, BEARING, AFBM W-02	9
1	211-0009-025	BEARING, BALL 6202-2RS	8
1	801-0746-001	RING, STOP BUMPER	7
1	001-1525-006	ASSY, NEW S6 BALL NUT/BALL SCREW	6
1	801-0712-003	CARRIAGE, S6 GAUGE	5
1.6	703-0003-009	TAPE, BLK/YEL STRIPED WARNING	4
1	801-0706-002	FRAME, S6 MAIN	3
1	703-1001-080	NAMEPLATE, S6	2
3	123-0001-008	SCREW, PPH, TYPE B TAP #10 X 1/2 LG	1

- NOTES:
- ITEM 41 TO BE DETERMINED AT ASSEMBLY:  
 801-0814-001 RED (.002)  
 801-0814-002 BLUE (.005)  
 801-0814-003 BROWN (.010)  
 801-0814-004 YELLOW (.020)
  - ITEMS 42, 43, & 44 NOT SHOWN ON ASSEMBLY.
  - X-30 CONTACT CEMENT TO BE USED TO ASSEMBLE ITEM 7 TO ITEM 20.

REV	DATE	BY	DESCRIPTION	REV	DATE	BY	DESCRIPTION
D	11/11/99		(1) WAS 101-0003-004, 5/8 LG; (2) WAS 108-5006-002, 20 LG	J	10-24-97	J	10-24-97
C	1/3/96		(4) WAS 408-8001-040, (5) ADDED ITEM 46	J	1-31-97	R	1-31-97
B	1/3/94		(1) QTY WAS 2, (2) WAS 108-5006-001, (3) QTY WAS 2	J	7-20-98	R	7-20-98
A	1/3/94		(4) ITEM 46 ADDED; (5) REVISED DELINEATION ON SHIT 1 & 2	J	7-20-98	R	7-20-98
			(1) QTY WAS 2; (2) WAS 108-5004-002; (3) WAS 101-5010-008				

SURFACE TREATMENT: S6

EXCEPT AS NOTED: ALL DIMENSIONS IN INCHES TOLERANCE DECIMAL: 0 ± .0300, .00 ± .0180, .0000 ± .0080, .0000 ± .0008

HEAT TREATMENT: ANGLE: 40°/30° BREAK ALL SHARP EDGES

THIRD ANGLE PROJECTION

SCALE: 1=2

UNIT OF MEAS: EA.

HURCO MANUFACTURING COMPANY, INC. INDIANAPOLIS, IN U.S.A.

DESCRIPTION: ASSEMBLY, S6 BACKGAUGE

DRAWN: J.L.W. DATE: 3-13-96 CHECKED: R.J.H. DATE: 3-25-96 APPROVED: J.L.W. DATE: 3-25-96

SHIT: 1 OF 2 REV. D