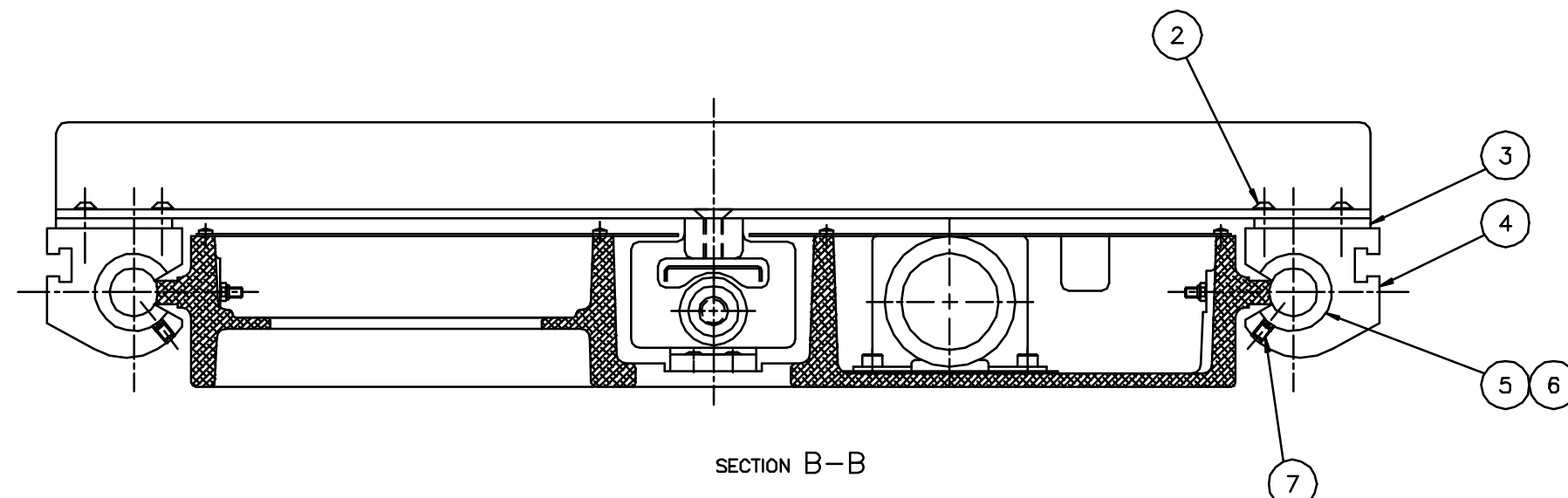
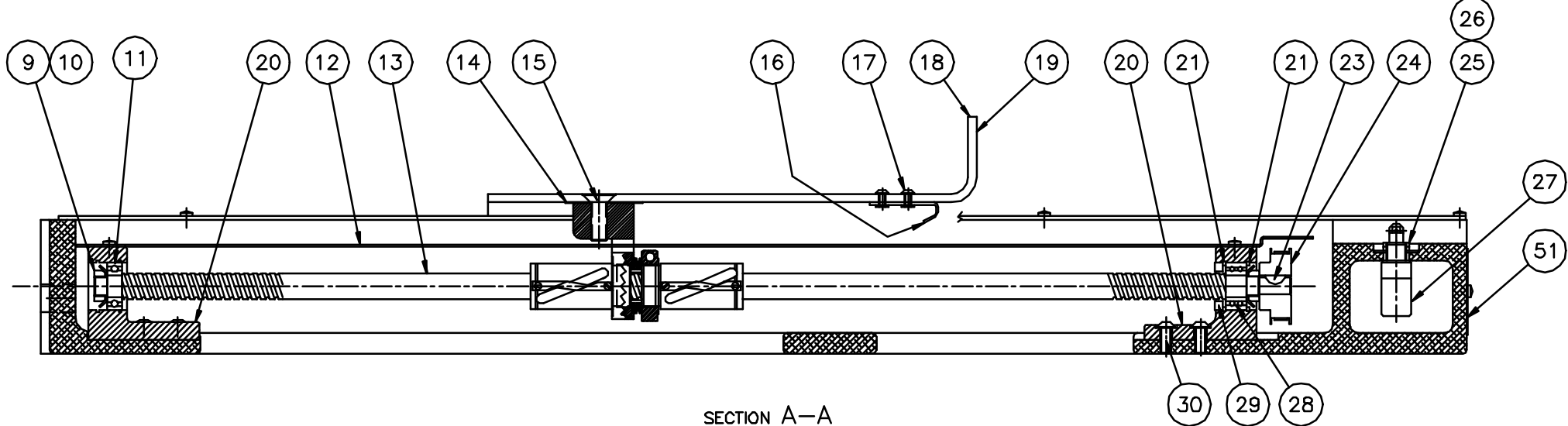


PROPRIETARY INFORMATION
 INFORMATION CONTAINED HEREIN IS THE PROPERTY OF HURCO MANUFACTURING COMPANY, INC. NO REPRODUCTION OR DISCLOSURE OF THIS INFORMATION SHALL BE MADE BY THE RECIPIENT TO ANY OTHER PERSON OR ORGANIZATION WITHOUT THE PRIOR WRITTEN CONSENT OF HURCO MANUFACTURING COMPANY, INC.



SECTION B-B



SECTION A-A

- NOTES:
- SHIM STOCK SIZE TO BE DETERMINED AT ASSEMBLY.
 801-0813-001 - RED (.002)
 -002 - BLUE (.005)
 -003 - BROWN (.010)
 -004 - YELLOW (.020)
 - X-30 CONTACT CEMENT (P/N 334-0001-005) TO BE USED TO ASSEMBLE ITEM 29.

- NOT SHOWN ON ASSEMBLY (A) REF 416-0248-054 ENCODER, 254 LINE DIFF. 56
- (F) 6.7# 712-0001-002 B CHEMICAL, 150# CYL. INSTA-FOAM 55
- (F) 7.5# 712-0001-001 A CHEMICAL, 150# CYL. INSTA-FOAM 54
- (07) 2 801-2008-001 BUMPER, GAUGE RUBBER 53
- (07) 1 757-4002-032 ENG. DOC., AB7 CHECKOUT PROCEDURE 52
- (07) 1 703-1001-080 NAMEPLATE, AUTOBEND 51
- (06) (C) 1 801-2000-001 PLATE, AB7 AXIS IF MOUNT S7 49
- 1 208-0002-006 SPROCKET, 18XL037 1/2" DIA BORE 48
- 4 101-0003-004 SHCS, #8-32 X 5/8 LG 47
- 1 801-0641-001 BRACKET, MOTOR MOUNTING 46
- (05) 1 703-1001-129 LABEL, INFO & WARNING 45
- 1 111-0241-001 RIVET, AD-32 SCOVIL 44
- (E4) 1 001-1430-001 ASSY, SHIPPING BOX 42
- (04) 2 112-5024-004 SPRING PIN, 6 DIA X 20 LG 40
- (03) 2 801-0646-001 COVER, RIGHT GAUGE 39
- 4 112-5026-002 SPRING PIN, 10 DIA X 24 LG 38
- 1 001-2009-003 M.T.E. S7 - AB7 37
- 2 101-5010-004 SHCS, M8 X 1.25 P X 18 LG. 36
- 8 117-0100-007 LOCKNUT, M6 DIN 985 35
- 2 901-0080-001 ROD, S7 GUIDE 34
- 1 801-0647-002 FRAME, S7 MAIN 33
- (02) 1 204-0002-006 GEARBELT, 180XL037 32
- 24 123-0001-008 SCREW, #10 X 1/2 TYPE B, PH TAP 31
- 4 108-5005-004 BHCS, M8 X 1.25 P X 20 LG. 30
- 1 801-0746-001 RING, STOP BUMPER 29
- 1 211-0035-003 BEARING, DBL ROW BALL MRC 5202SBKZZ 28
- 1 404-5202-010 SWITCH, PNL. MTG. CROSS ROLL/PLUNGER 27
- 1 605-5001-009 WASHER, BELLEVILLE #B1250-89 26
- 1 110-0062-009 LOCKWASHER, 9/16" INTERNAL 25
- 1 208-0002-039 PULLEY, GEARBELT #36XL037 24
- (E3) 1 609-0001-010 KEY, WOODRUFF, #4 3/32 X 5/8 23
- (E2) 2 113-0008-025 RETAINING RING, BOW 1.375 X 1.526 21
- 2 801-0645-001 BRACKET, DRIVE BEARING 20
- 2.83' 703-0003-009 TAPE, BLACK/YELLOW STRIPED WARNING 19
- 1 801-0735-004 SADDLE, S7 18
- 2 108-5003-004 BHSCS, M5 X 0.8 P X 12 LG. 17
- 1 801-0912-001 SWITCH ACTUATOR 16
- (01) 1 102-5007-003 FHSCS, M12 X 1.75 P X 30 LG. 15
- 1 801-0813-XXX SHIM STOCK, S7 (SEE NOTE 1) 14
- 1 001-1525-002 ASSY, S7 BALL NUT/PRELOAD 13
- 1 801-0636-001 COVER, BALL SCREW 12
- 1 211-0009-025 BEARING, BALL #6202-2RS 11
- 2 211-0088-001 LOCKWASHER, BEARING #AFBM W-02 10
- (E1) 2 211-0087-001 LOCKNUT, BEARING #AFBMA N-02 9
- 4 103-5165-021 SHSS, M8 X 1.25 P X 10 LG. CONE PT. 7
- 4 608-0005-005 SEAL, BALL BUSHING, OP STD 1.25 DIA. 6
- 4 211-5002-008 BUSHING, BALL (SUPER 20 OPN) 5
- 2 801-0703-001 BEARING BLOCK 4
- 2 801-0735-005 PAD, SADDLE S7 3
- 8 108-5006-003 BHCS, M10 X 1.5 P X 25 LG. 2
- (B) 1 423-0204-001 HARNESS, S7 GAUGE INTERNAL, AB7 1

REV	DATE	BY	DESCRIPTION
G	13612		ADDED ITEM 56
F	13438		ADDED ITEMS 54 & 55
E	13341		(1) ITEM #42 WAS 2 RECD (2) WAS 428-7891-001; (3) WAS 1 RECD; (4) WAS 113-0001-013;
D	12841		(5) WAS 808-3044-011; (6) WAS 801-2002-002; (7) ADDED ITEMS 51, 52, & 53 (8) WAS 102-5007-004; (9) WAS 28 POS; (10) WAS 1 PC; (11) WAS 801-0842-002;
C	12796		ADD ITEM #50
B	12543		ADDED ITEM 1

SURFACE TREATMENT		EXCEPT AS NOTED: ALL DIMENSIONS IN INCHES TOLERANCE		HURCO MANUFACTURING COMPANY, INC. INDIANAPOLIS, IN U.S.A.	
~		DECIMAL .00 .01 .02 .03 .04 .05 .06 .07 .08 .09 .10 .15 .20 .25 .30 .35 .40 .45 .50 .55 .60 .65 .70 .75 .80 .85 .90 .95 1.00 1.50 2.00 3.00 4.00 5.00 6.00 8.00 10.00		DESCRIPTION	
~		HEAT TREATMENT		ASSEMBLY, S7 GAUGE	
~		FIRST USED ON		DRAWN DATE 1-27-93 CHECKED J.L.W. DATE 1-27-93 APPROVED J.L.W. DATE 2-25-93	
AB7/S7		THIRD ANGLE PROJECTION		SCALE 1=2	
		UNIT OF MEAS. EA.		D 001-2003-002	