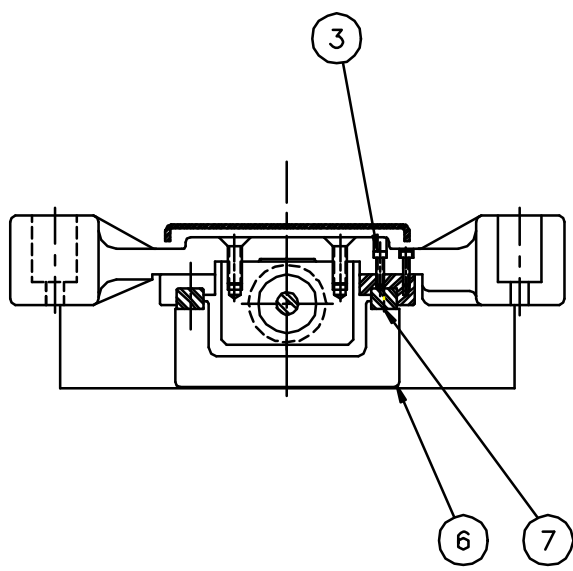
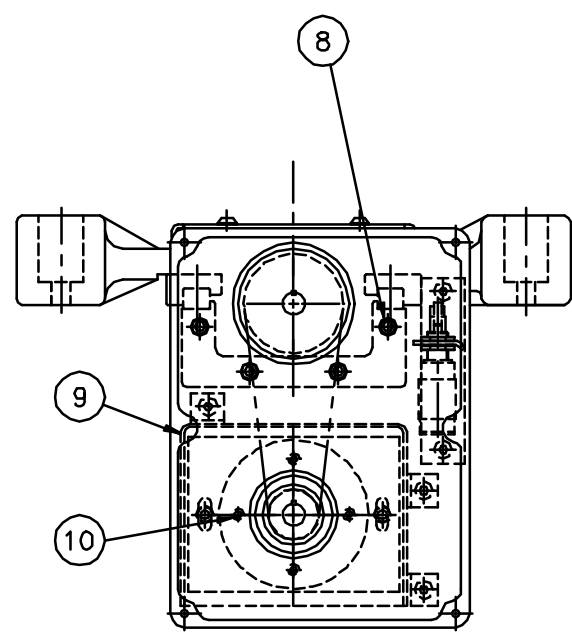


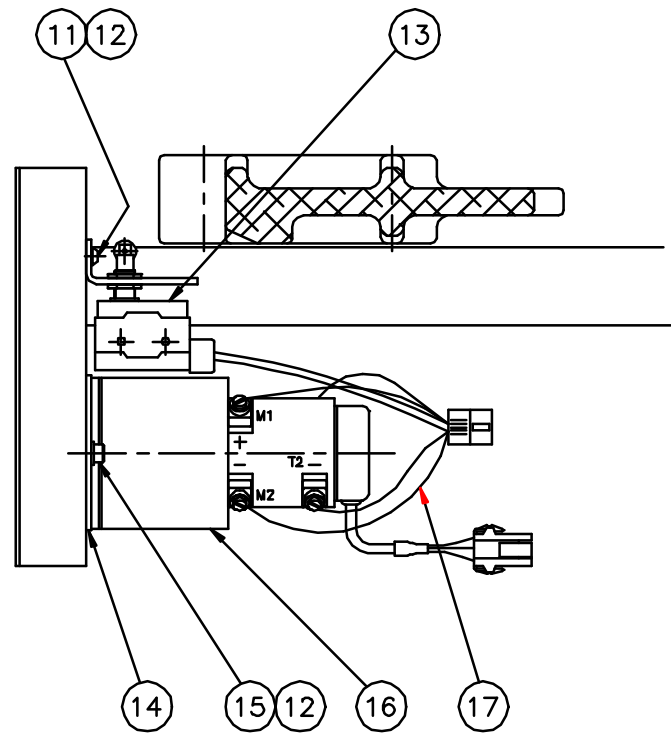
SECTION B-B
(SEE SHEET 2)



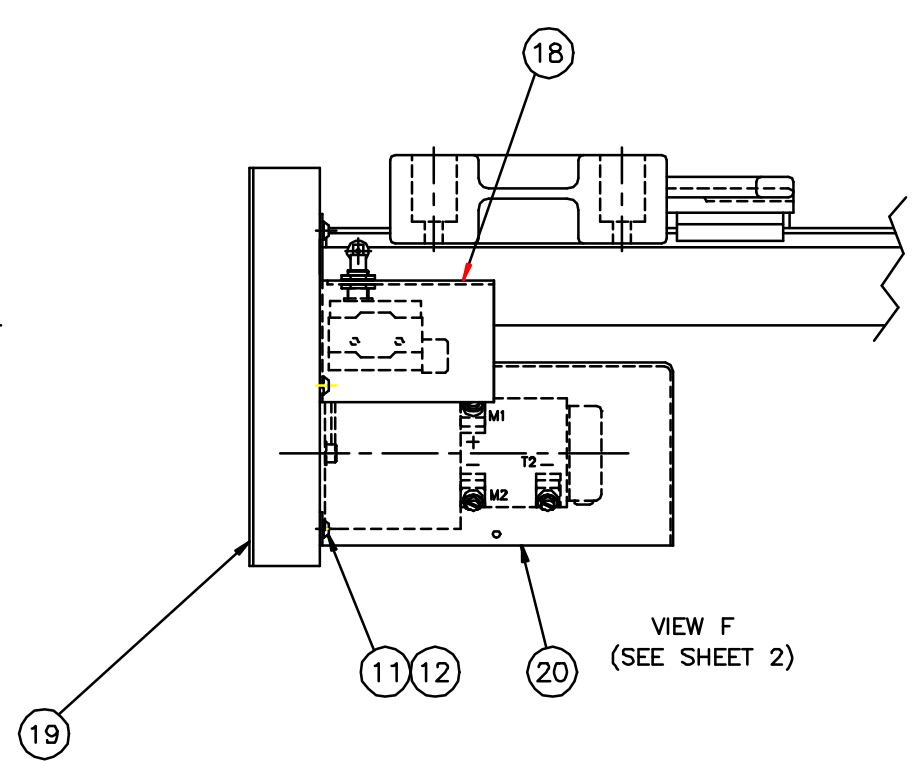
SECTION C-C
(SEE SHEET 2)



VIEW D
SEE SHEET 2
(SHOWN WITH COVER REMOVED)



SECTION E
SEE SHEET 2
(SHOWN WITH COVERS REMOVED)



VIEW F
(SEE SHEET 2)

NOT SHOWN ON ASSEMBLY

QTY.	PART NUMBER	ITEM DESCRIPTION	ITEM
			44
			43
1	001-2024-001	ASSY, LP11 FASTENER	42
4	101-5011-008	SHCS, M10 X 30 LG.	41
1	208-0002-006	SPROCKET, 18XL037	40
1	204-0002-003	BELT, TIMING 150XL037	39
			38
			37
1	001-1525-005	ASSEMBLY, LP11 BALL SCREW	36
2	801-2012-001	SUPPORT, BEARING	35
8	101-5008-008	SHCS, M6 X 25 LG.	34
2	801-2014-005	BLOCK, GAUGE STOP	33
1	211-0009-025	BEARING, SINGLE ROW BALL	32
1	211-0035-003	BEARING, DOUBLE ROW	31
1	801-2011-001	HOUSING, REAR END	30
2	113-0008-025	RETAINING RING, BOW 1.375 X 1.526	29
1	801-2010-001	PLATE, FRONT MOUNTING	28
2	102-5005-009	FHCS, M8 X 25 LG.	27
1	801-2009-002	CARRIAGE, BACKGAUGE	26
2	112-5024-006	SPRING PIN, M6 X 30 LG.	25
2	211-0088-001	LOCKWASHER, BEARING	24
2	211-0087-001	LOCKNUT, BEARING	23
1	609-0001-010	KEY, WOODRUFF, #4 3/32 X 5/8	22
1	208-0002-039	PULLEY, GEARBELT, 36XL037	21
1	801-2014-003	COVER, MTE	20
1	801-2014-004	COVER, END HOUSING	19
1	801-2013-002	BRACKET, LIMIT SWITCH	18
1	423-0204-001	HARNESS, AB7 INTERNAL GAUGE	17
1	001-2009-003	ASSY, MTE	16
2	101-5008-004	SHCS, M6 X 16 LG.	15
1	801-2010-002	PLATE, MTE MOUNTING	14
1	404-5202-012	LIMIT SWITCH	13
15	110-5001-004	FLAT WASHER, M6	12
13	108-5004-002	BHCS, M6 X 12 LG.	11
4	102-0003-001	FHCS, #8 - 32 X 3/8 LG.	10
1	703-1005-409	LABEL, LINEAR RAIL LUBRICATION	9
4	108-5004-006	BHCS, M6 X 20 LG.	8
2	211-1100-023	RAIL, LINEAR - G15+B20L	7
1	801-2015-003	FRAME, 24" MAIN	6
16	101-5021-005	SHCS, M4 X 12 LG.	5
4	211-1100-024	BEARING, LINEAR - GSR15	4
16	101-5021-006	SHCS, M4 X 16 LG.	3
1	801-2014-007	COVER, 24" GAUGE	2
4	101-5010-007	SHCS, M8 X 25 LG.	1

REV	DATE	DESCRIPTION	BY	CHKD	DATE	APPROV	DATE
C	14119	(3) WAS 117-0100-006 QTY 4 (1) WAS 703-1001-083 QTY 1 (2) WAS 108-5003-003 QTY 4	J.A.	R.H.	10-24	J.L.W.	10-24
B	13533	(1) WAS 111-0241-009; (2) ITEMS 43 & 44 ADDED	J.W.	R.H.	10-24	J.L.W.	10-24
A	13384	REL					

SURFACE TREATMENT		EXCEPT AS NOTED - ALL DIMENSIONS MUST BE AS FOLLOWS	EXCEPT AS NOTED - ALL DIMENSIONS MUST BE AS FOLLOWS	HURCO MANUFACTURING COMPANY, INC INDIANAPOLIS, IN U.S.A.	
~		INSIDE: .000" X 45° DR .05" R MAX	DECIMAL ±.0300 .00 ±.0150 .000 ±.0050 ANGULAR ± .030°	DESCRIPTION ASSEMBLY, LP11 BACKGAUGE	
~		OUTSIDE: .030" X 45° DR .05" R	THIRD ANGLE PROJECTION	SCALE 1/2	SIZE D
~		FIRST USED IN LP11	EXCEPT AS NOTED - ALL DIMENSIONS MUST BE AS FOLLOWS ±.02	DRAWING 001-2010-005	SH. 1 OF 2