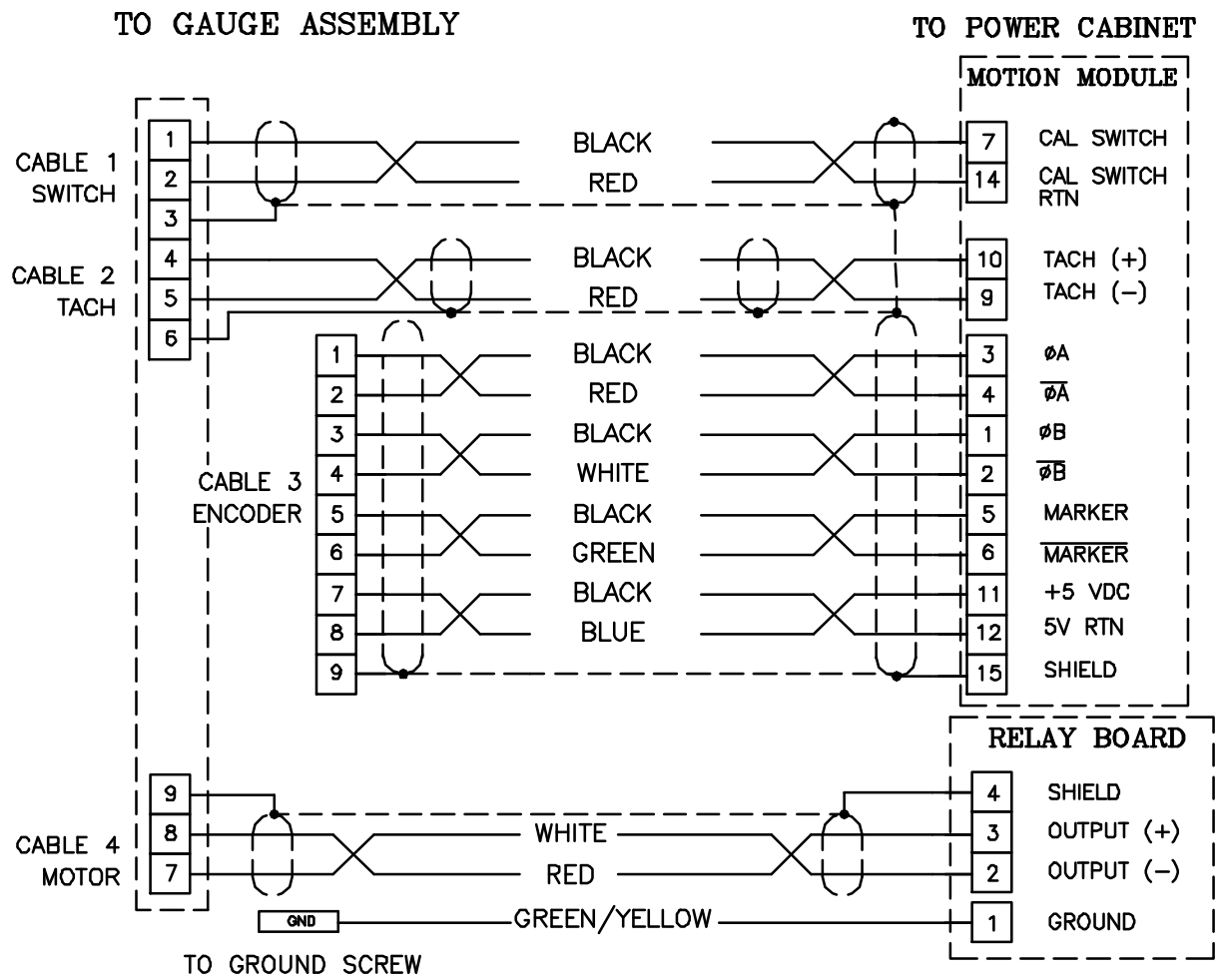


NOTES:

1. LABEL HARNESS WITH PART NUMBER AND REVISION LEVEL LETTER.
2. LABEL CONNECTORS AS SHOWN.
3. OVERALL LENGTHS +/- 1 INCH.
4. TYPICAL STRIP LENGTH 1 TO 2 INCHES.
5. SOLDER DRAINS OF CABLES 1 THRU 3 TO ITEM 13, COVER WITH ITEM 14.
6. SOLDER DRAIN OF CABLE 4 TO ITEM 23, COVER WITH ITEM 14.
7. USE ITEM 20 TO DRESS CABLES, SPACE EVERY 12 INCHES BETWEEN ITEMS 10.
8. CABLES #1 AND #2 ARE ITEM #3. CABLE #3 IS ITEM #9. CABLE #4 IS ITEM #8.
9. AXIS #1: MOTION MODULE J1, RELAY PCB TB4
 AXIS #2: MOTION MODULE J3, RELAY PCB TB5
 AXIS #3: MOTION MODULE J5, RELAY PCB TB6
 AXIS #4: MOTION MODULE J7, RELAY PCB TB7



QTY.	QTY.	QTY.	QTY.	PART NUMBER	ITEM DESCRIPTION	ITEM
2	2	2	2	408-8501-010	LOCK NUT 1 1/4"	24
2"	2"	2"	2"	406-2005-020	WIRE, 18 AWG BLACK	23
108"	648"	468"	348"	406-2005-030	WIRE, 18 AWG GREEN/YELLOW	22
1	1	1	1	406-7001-048	RING TONGUE, #8 16-22 AWG	21
5	50	35	25	406-5001-006	WIRE TIE, MEDIUM	20
1	1	1	1	406-4005-061	CONNECTOR, FEMALE W/LATCHES 6 POS	19
9	9	9	9	406-7501-012	CONTACT, PIN, 24-20 AWG GOLD	18
4	4	4	4	406-0965-004	CRIMP FERRULE, 18 AWG RED	17
1	1	1	1	406-0801-142	CRIMP TERMINAL HOUSING, 15 POS.	16
13	13	13	13	406-0801-135	TERMINAL, CRIMP 22-30 AWG	15
4"	4"	4"	4"	406-6481-002	SHRINK TUBE, 1/8" BLACK	14
6"	6"	6"	6"	406-1687-010	WIRE, 24 AWG BLACK	13
4	4	4	4	406-6481-004	SHRINK TUBE, 1/4" DIA. BLACK	12
2	2	2	2	408-1014-012	REDUCER, FEMALE 1 1/4" TO 3/4"	11
2	2	2	2	408-8003-053	CORD CONNECTOR, 3/4"NPT, .375 - .500 I.D.	10
108"	648"	468"	348"	406-1328-006	CABLE, 4 PAIR TWISTED 24 AWG	9
108"	648"	468"	348"	406-1242-001	CABLE, 1 TWISTED PAIR 18 AWG	8
4"	4"	4"	4"	406-6481-005	SHRINK TUBE, 3/8" DIA. BLACK	7
1	1	1	1	406-0803-670	RECEPTACLE, RECTANGULAR 9 POSITION	6
3	3	3	3	406-0801-129	TERMINAL, STD .093 FEMALE 14-20 AWG	5
6	6	6	6	406-0801-131	TERMINAL, STD. .093 FEMALE 22-24 AWG	4
216"	1296"	936"	696"	406-1242-013	CABLE, 1 PR TWISTED 24 AWG	3
4"	4"	4"	4"	406-6481-003	SHRINK TUBE, 3/16" DIA. BLACK	2
1	1	1	1	406-0801-140	RECEPTACLE, STD .093 9 POSITION	1

CN
 AB188

REV.	DATE	BY	DESCRIPTION
F	13903		ADDED 96" LENGTH, 423-0201-029
E	12810		(1) WAS 1 - 408-8003-047; (2) WAS 1 - 408-8003-048; (3) ADDED ITEM 24
D	12736		CORRECTED WIRE COLORS OF CABLE 4
C	12646		1) WAS 406-0803-958, 2) WAS 406-0803-959
B	12609		4) WAS 2 PC 408-8002-012, 5) WAS 1 PC, 6) WAS 3 PC 406-0965-014 1) WAS 406-1242-012, 2) WAS 2 PC 408-8003-042, 3) WAS 2 PC 408-8501-008
A	12543		RELEASE

HURCO MANUFACTURING COMPANY, INC.
 INDIANAPOLIS, IN U.S.A.

DESCRIPTION: HARNESS, AB7 X AXIS IF

DATE: 01/14/93
 CHECKED: MFC
 DATE: 01/15/93
 APPROVED: DAB
 DATE: 2/25/93

SCALE: NONE
 UNIT OF MEAS: PC

SIZE: D
 DRAWING: 423-0201-005
 SHEET: 1 OF 1